

Specification

CMOS Hidden Camera

Model	MO-D365	MO-D465	MO-D565	MO-D2665	MO-D765
Video system	CCIR / EIA		NTSC Only	NTSC / PAL	EIA Only
Number of effective pixels	NTSC(EIA)	510x492	320x240	510x492	510x492
	PAL(CCIR)	628x582	352x288		628x586
Image sensor	1/3"	1/4"	1/4"	1/3"	1/4"
Resolution(TV Lines)	380	240		380	
S/N Ratio	more than 48dB				
Minimum illumination	0.2 LUX	0.5 LUX	1.5 LUX	0.2 LUX	0.05 LUX
Electronic shutter	1/50 - 1/15,000	1/50 - 1/6,000	1/50 - 1/63,000	1/50 - 1/125,000	1/50 - 1/63,000
Horizontal sync frequency	NTSC(EIA)-15.734kHz / PAL(CCIR)-15.625kHz				
Vertical sync frequency	NTSC(EIA)-60Hz / PAL(CCIR)-50Hz				
Camera consumption	0.45				
Video output	1Vp-p , 75ohm composite				
Audio output	Frequency 20-16,000Hz , S/N ratio more than 58 SPL(at 1000Hz)(Ordering in advance)				
Built-in lens	3.6mm / F2.0 (G-type)				
Lens angle	89 °	58 °	70 °	80 °	70 °
Storage temperature	-30 to 60 Degree C				
Working temperature	-10 to 45 Degree C				
Power source	DC 7-12V(Standard)				
Power current	50mA	20mA	35mA	50mA	35mA
Dimension (mm)	105 x 70				

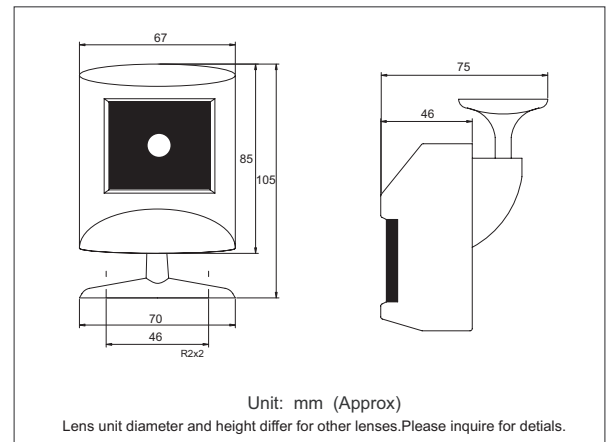


MO-Dx65

Ordering Information

MODEL	MICRO LENS	MIC
MO-Dx65	3.6mm / F2.0	
MO-Dx65A	3.6mm / F2.0	
NOTE:		
MO-D365FA : W/Microphone		
MO-Dx65: 4: 1/3" 0.2 Lux	4: 1/4" 0.5 Lux	5: 1/4" 0.2 Lux
26: 1/3" 0.2 Lux	7: 1/4" 0.05 Lux	

Dimensions



Other type

 <p>MS-C341</p>	 <p>MO-D440 CMOS MINI CAMERA</p>	 <p>MS-C446</p>	 <p>MS-B345 Hidden CCD Camera</p>
---	--	--	---